



IMPORTED BY C&T International, Inc. / IMPORTE' PAR de C&T International, Inc.

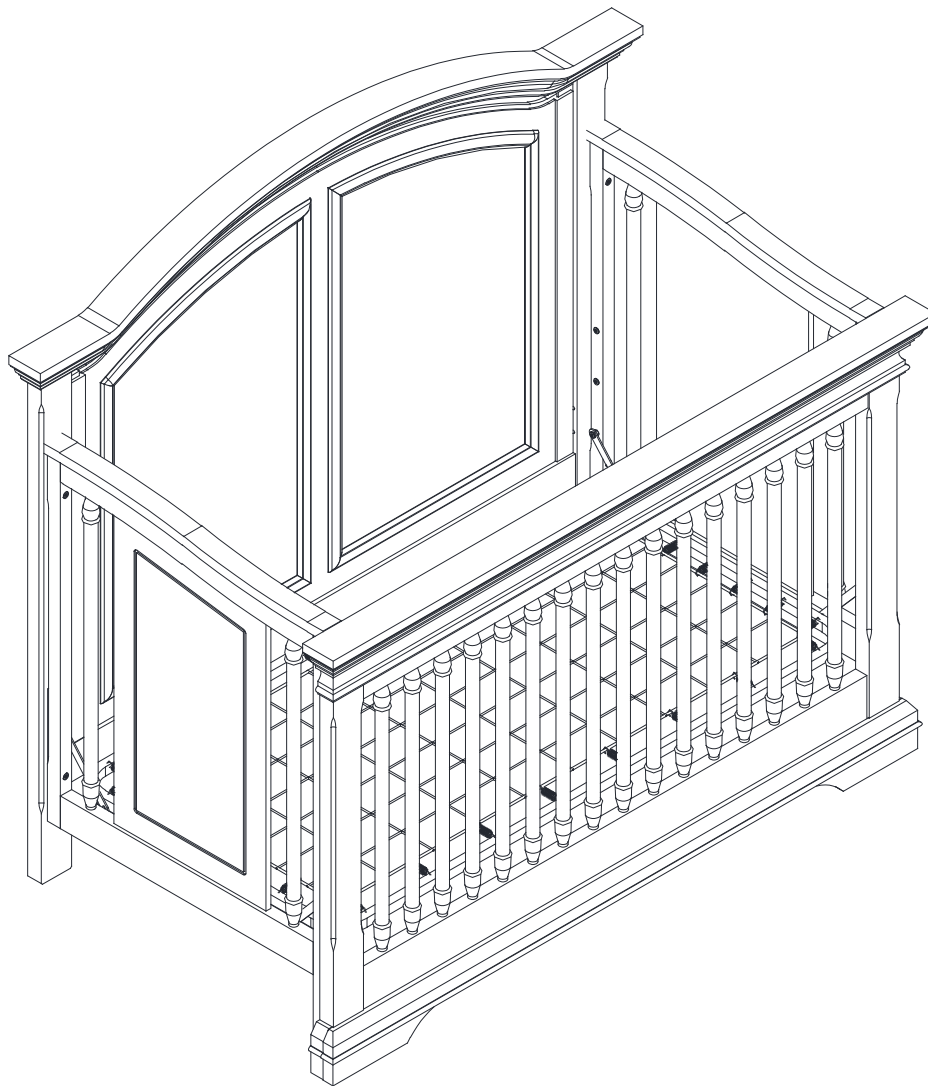
105 Stonehurst Ct Northvale, NJ 07647 U.S.A. Tel, 201- 531-1919 Fax, 201- 531-1920

CANADA ADDRESS:

3453, DU PRESIDENT KENNEDY LAC MEGANTIC, QUEBEC, CANADA G6B 2Y4

Website: www.sorellefurniture.com / Site Internet : www.sorellefurniture.com

PORTOFINO / PORTICO HIGH ARCH CRIB Assembly Instruction



Important Information:

Read all instructions **BEFORE** assembling crib.

KEEP INSTRUCTIONS FOR FUTURE USE.

Crib Warnings

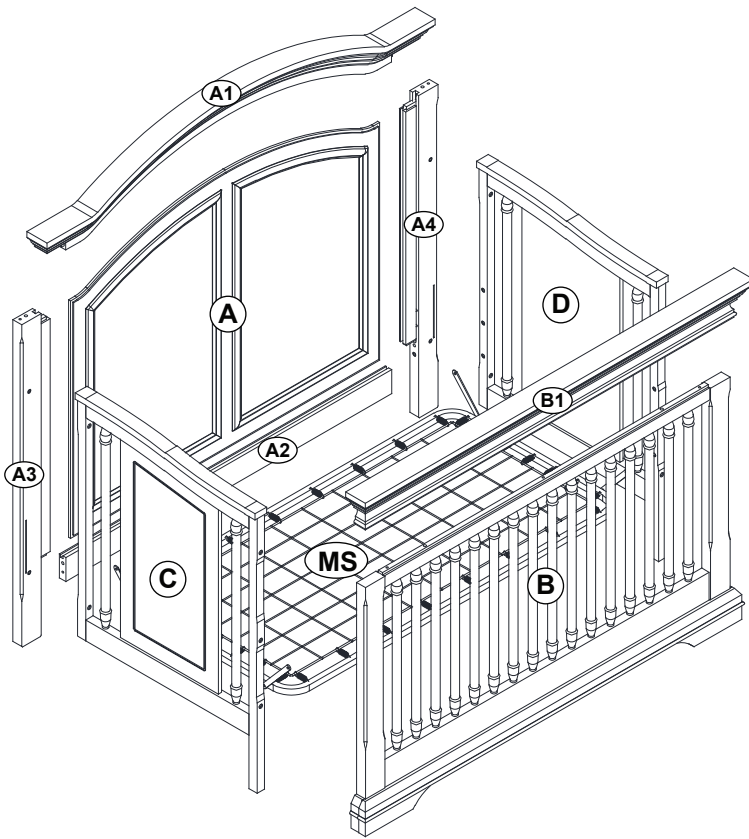
WARNING

- *Infants can suffocate on soft bedding. Never add a pillow or comforter. Never place additional padding under an infant.
- *Failure to follow these warnings and the assembly instructions could result in serious injury or death. DO NOT use this crib if you cannot exactly follow the accompanying instructions.
- *To reduce the risk of SIDS, pediatricians recommend healthy infants be placed on their backs to sleep, unless otherwise advised by your physician.
- ***Strangulation Hazard: STRINGS CAN CAUSE STRANGULATION! Do not** place items with a string around a child's neck, such as hood strings or pacifier cords. **Do not** suspend strings over a crib or attach strings to toys.
- ***Strangulation Hazard:** To help prevent strangulation tighten all fasteners. A child can trap parts of the body or clothing on loose fasteners.
- ***Strangulation Hazard: Do not** place crib near window or patio door where cords from blinds or drapes may strangle a child.
- ***Fall Hazard:** When child is able to pull to a standing position, set mattress to lowest position and remove bumper pads, large toys and other objects that could serve as steps for climbing out. This crib has an adjustable mattress support. For the convenience of the parent when the baby is very small, the mattress support may be used in the highest position.
- ***Fall Hazard:** Stop using crib when child begins to climb out or reaches a height of 35in. (89cm), whichever occurs first. The child should be placed in a youth or regular bed.
- *Check this product for damaged hardware, loose joints, loose bolts or other fasteners, missing parts, or sharp edges before and after assembly and frequently during use. Securely tighten loose bolts and other fasteners. **Do not use crib** if any parts are missing, damaged or broken. Contact C&T International Inc./Sorelle for replacement parts and instructional literature if needed. Do not substitute parts.
- *Follow warnings on **all** products in a crib.
- *If refinishing, use a non-toxic finish specified for children's products.
- ***Never** use plastic shipping bags or other plastic film as mattress covers because they can cause suffocation.
- *Infants can suffocate in gaps between crib sides and a mattress that is too small.
- *Ensure a safe environment for the child by checking regularly, before placing the child in the crib, that every component is properly and securely in place.
- *To avoid head injury, do not allow any child to play underneath the crib.
- ***Never** add an accessory such as a bassinet or changing table that extends over the sleeping area.

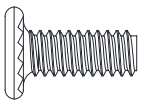
CAUTION : ANY MATTRESS USED IN THIS CRIB SHALL BE AT LEAST 27 1/4" (69CM) x 51 5/8" (131 CM) WITH A THICKNESS NOT EXCEEDING 6" (15CM).

Assembly Parts List

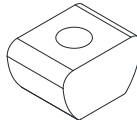
REF.	PART NAME	QUANTITY
A.	HB-Middle Panel	1
A1.	HB-Top Rail	1
A2.	HB- Bottom Rail	1
A3.	HB- Left Post	1
A4.	HB- Right Post	1
B.	Foot Board	1
B1.	FB- Top Rail	1
C.	Left End	1
D.	Right End	1
MS.	Mattress Base	1



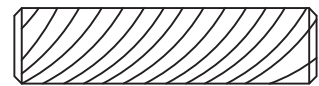
Hardware List



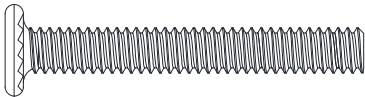
H1 (X18)
1/4" *15 Bolt



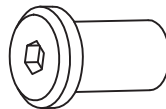
H4 (X6)
Half Moon Washer



H8 (X6)
10*40 Wooden Dowel



H2 (X14)
1/4" *45 Bolt



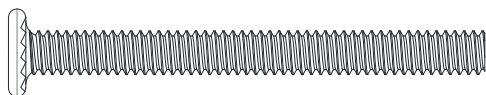
H5 (X6)
Joint Connector Nut



H9 (X1) Allen Key



H10(X1) Allen Key



H3 (X3)
1/4" *63 Bolt



H6 (X3)
Spring Washer



H7 (X3)
Flat Washer

Preparation

Before beginning assembly of product, make sure all parts are present. Compare parts with parts list and hardware list. If any part is missing or damaged, do not attempt to assemble the product.

NOTES ON ASSEMBLY:

- During the assembly process whenever using screws or bolts, check each by placing the screw/bolt on the diagram of the item which is drawn actual size and design. Be sure to use the proper size and shape specified in the instructions.
- To assemble this unit you may be required to place the unit on it's side and face. It is strongly recommended that assembly is done on a soft, non-abrasive surface to avoid damaging the finish.

Important:

1. Please do not use power tool
Veillez ne pas utiliser d'outil électrique
2. Please do not over tighten the bolt/ screw
Veillez ne pas trop serrer les boulons et/ou les vis
3. Please clean the product use water, do not use liquid/ detergent.
Veillez nettoyer le produit avec de l'eau, ne pas utiliser de détergent liquide.
4. Please set up the anti-tip kit
Veillez configurer et installer la courroie anti-basculement.

Assembly Steps

STEP 1.

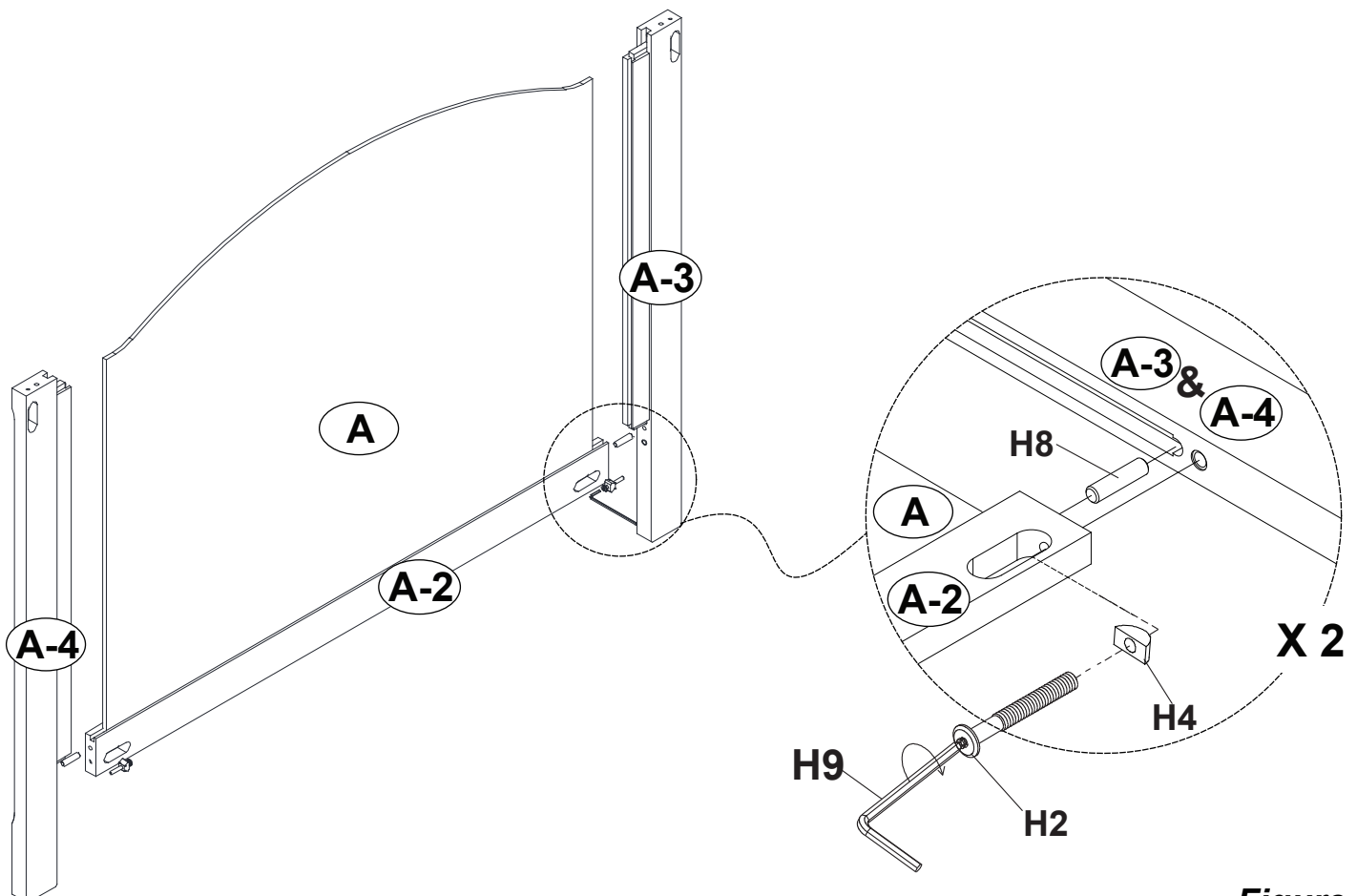


Figure 1

Assembly Steps (Continued)

STEP 2.

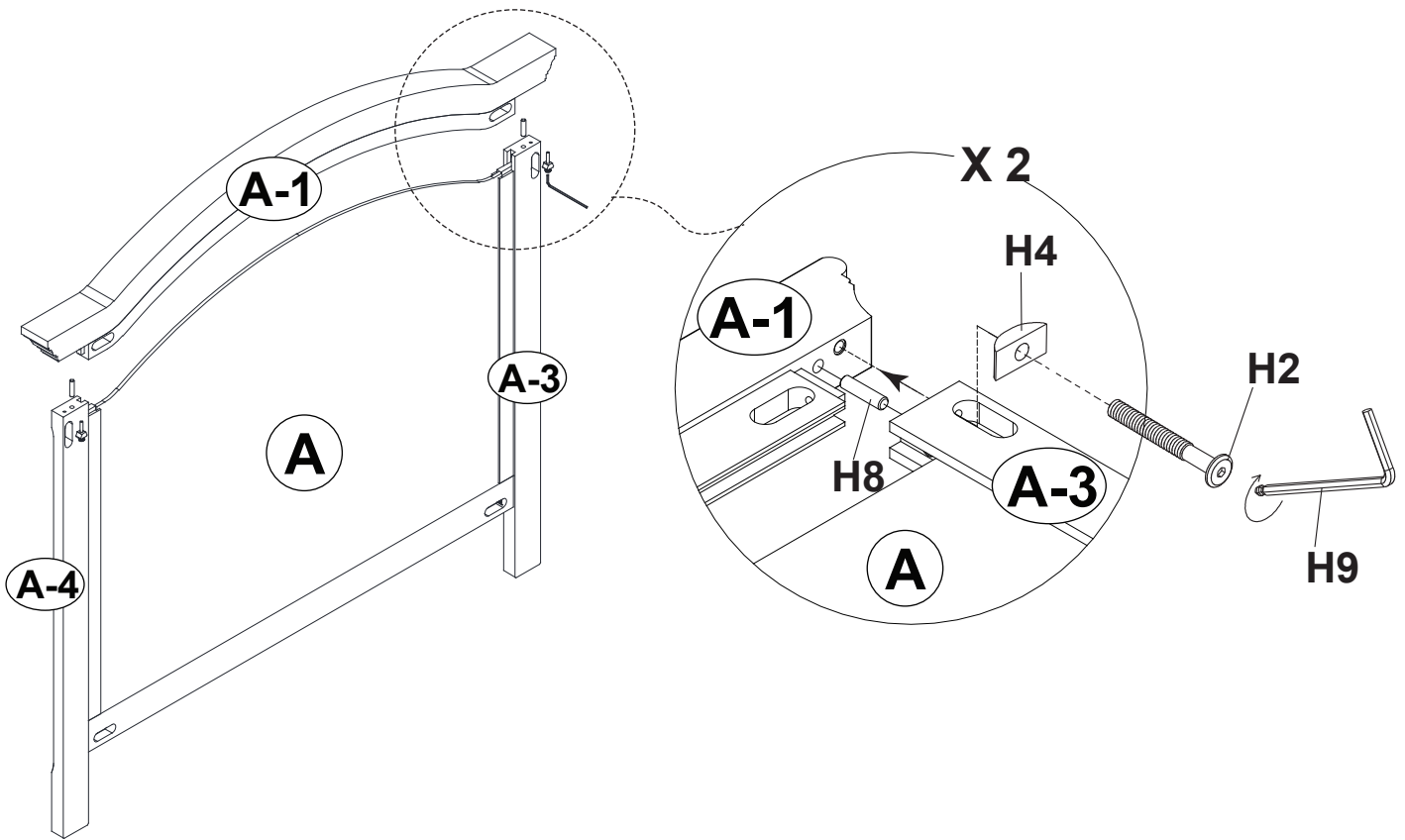


Figure 2

STEP 3.

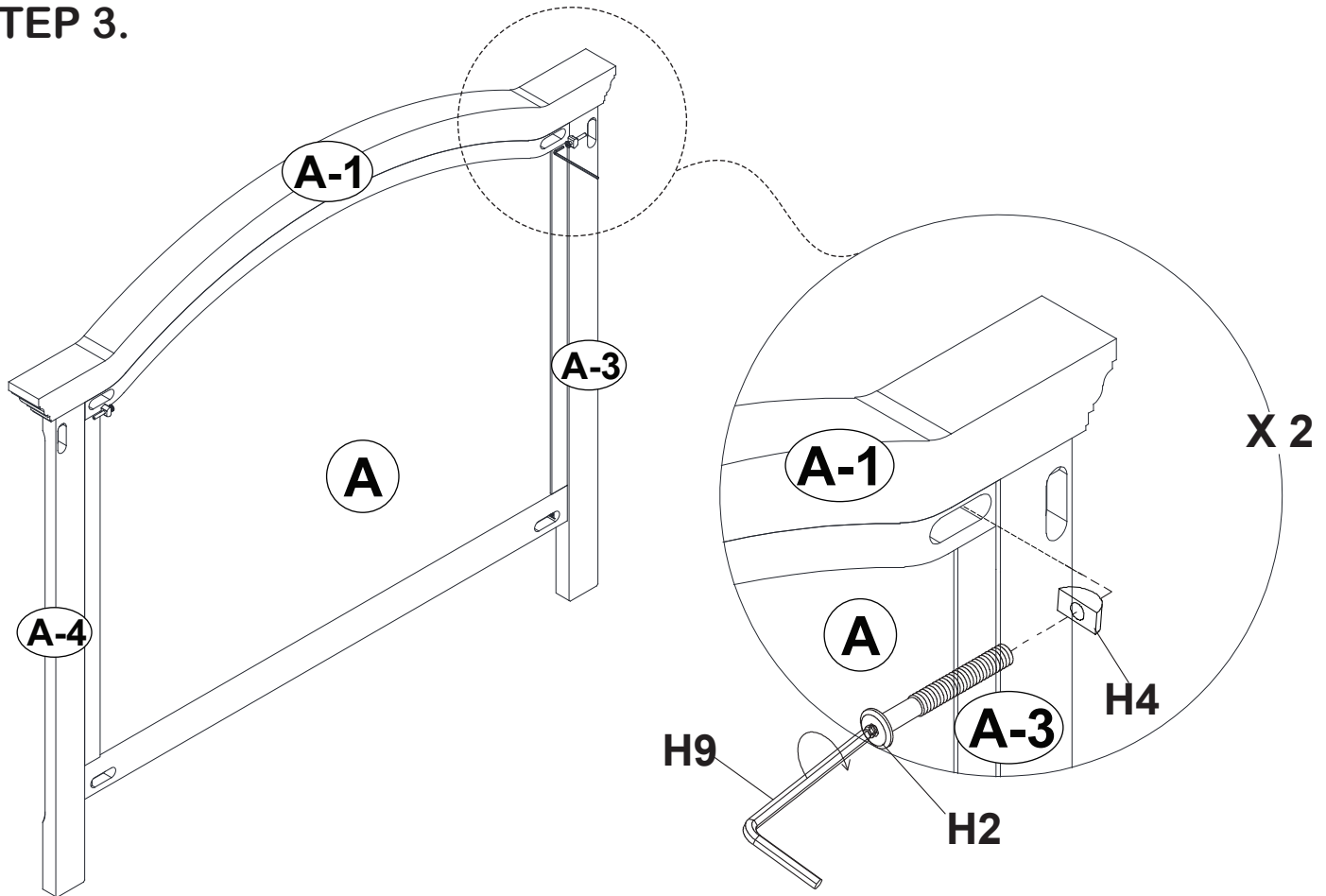


Figure 3

Assembly Steps (Continued)

STEP 4.

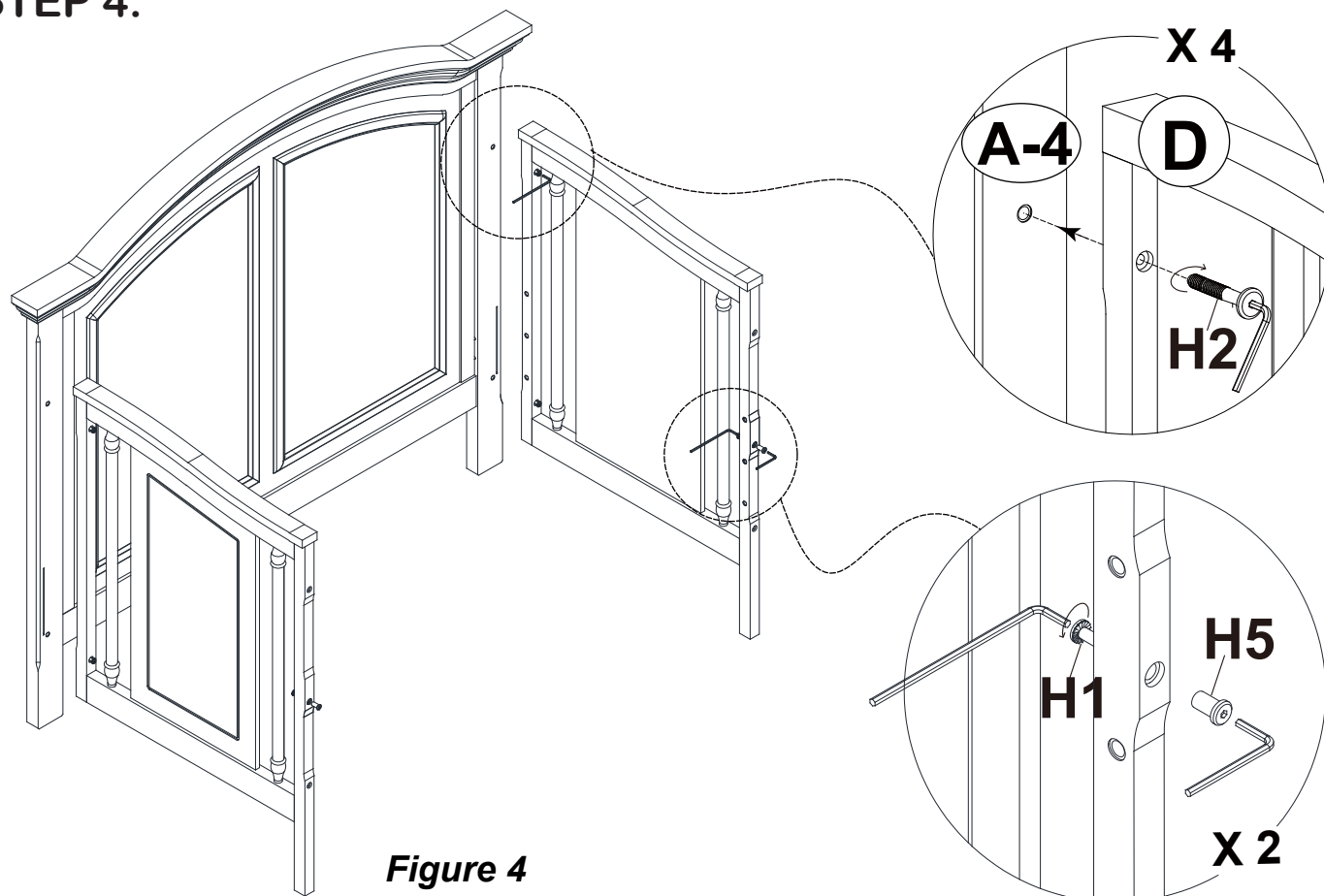
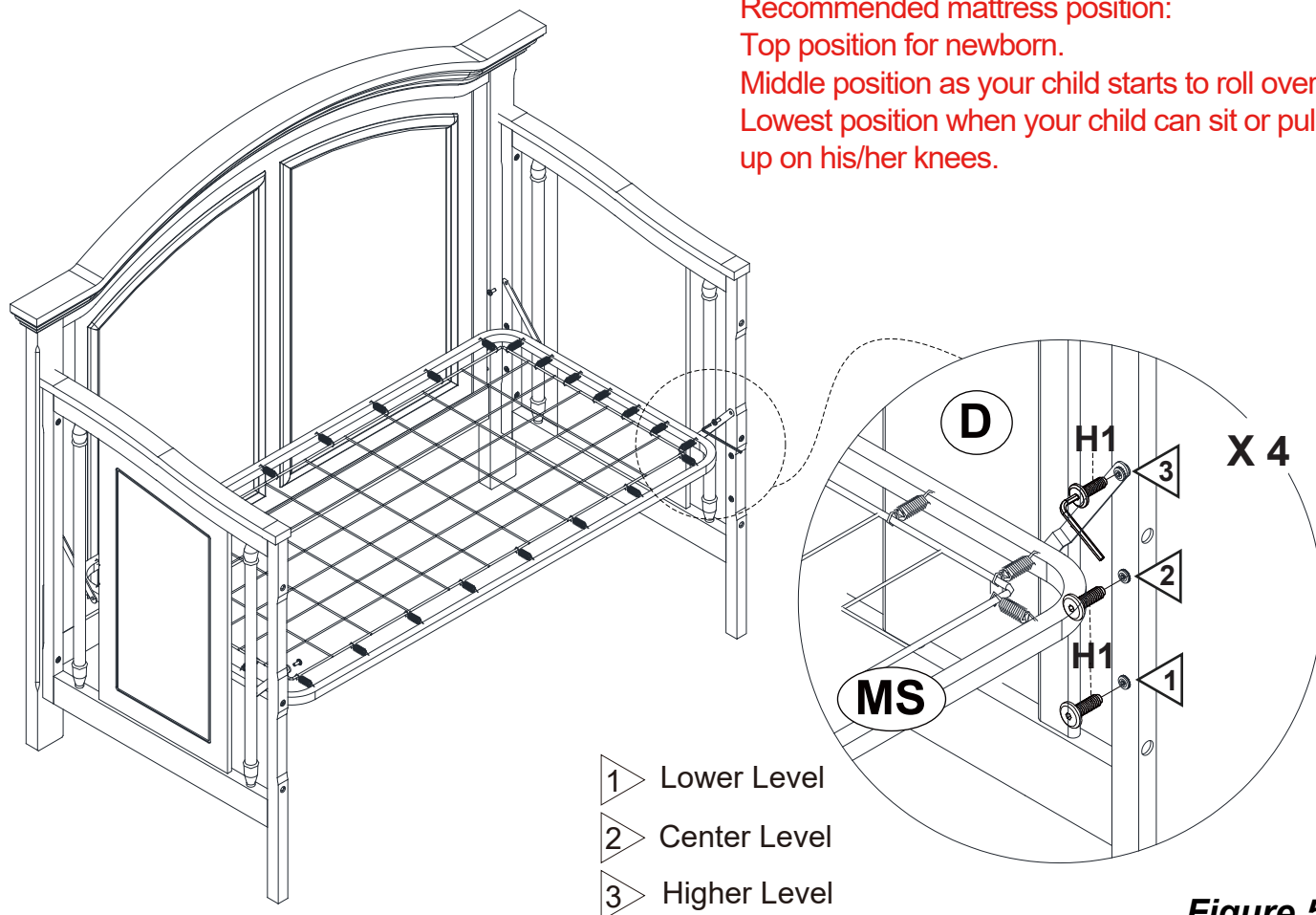


Figure 4

STEP 5.

Recommended mattress position:
 Top position for newborn.
 Middle position as your child starts to roll over.
 Lowest position when your child can sit or pull up on his/her knees.



- 1 Lower Level
- 2 Center Level
- 3 Higher Level

Figure 5

Assembly Steps (Continued)

STEP 6.

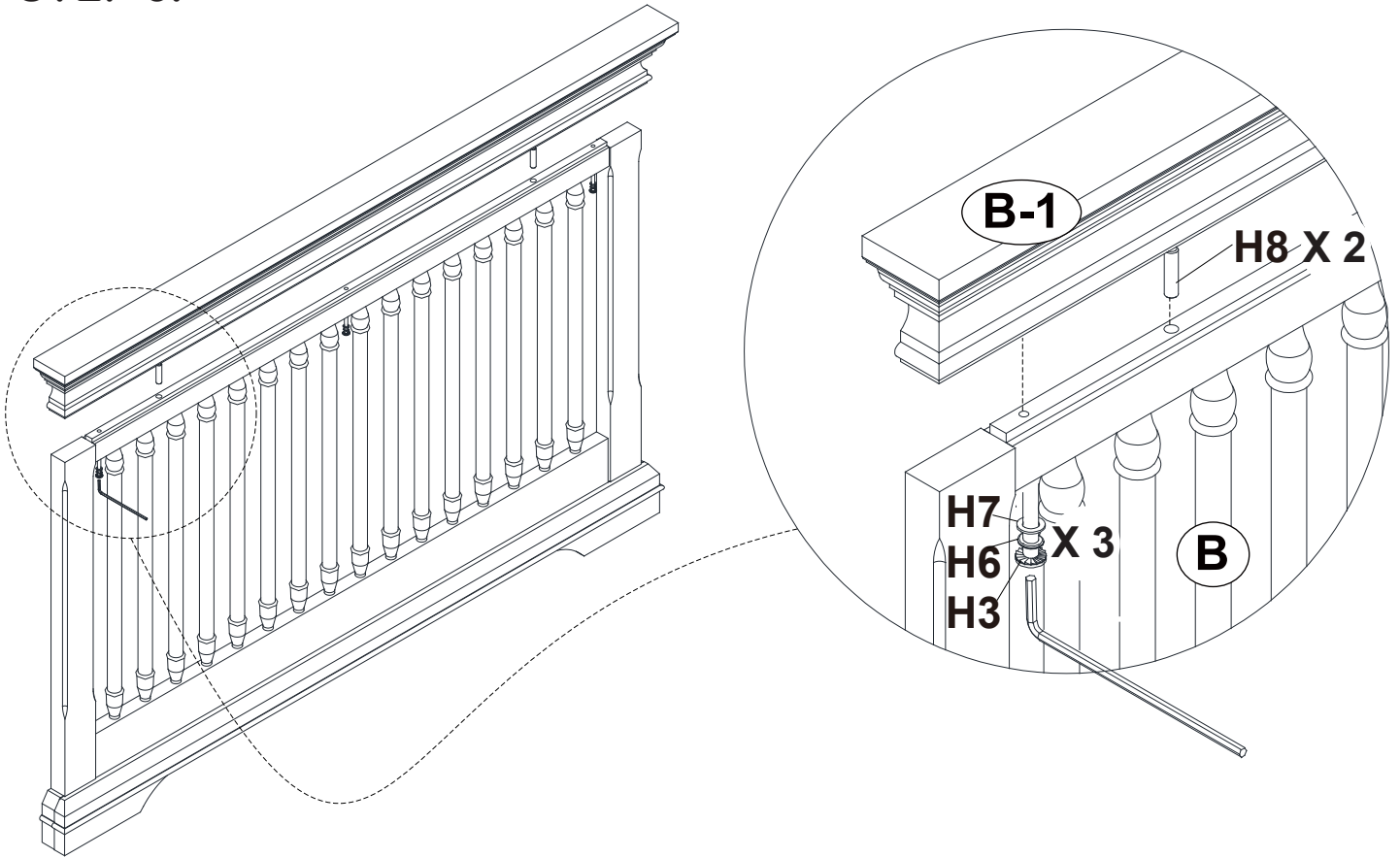


Figure 6

STEP 7.

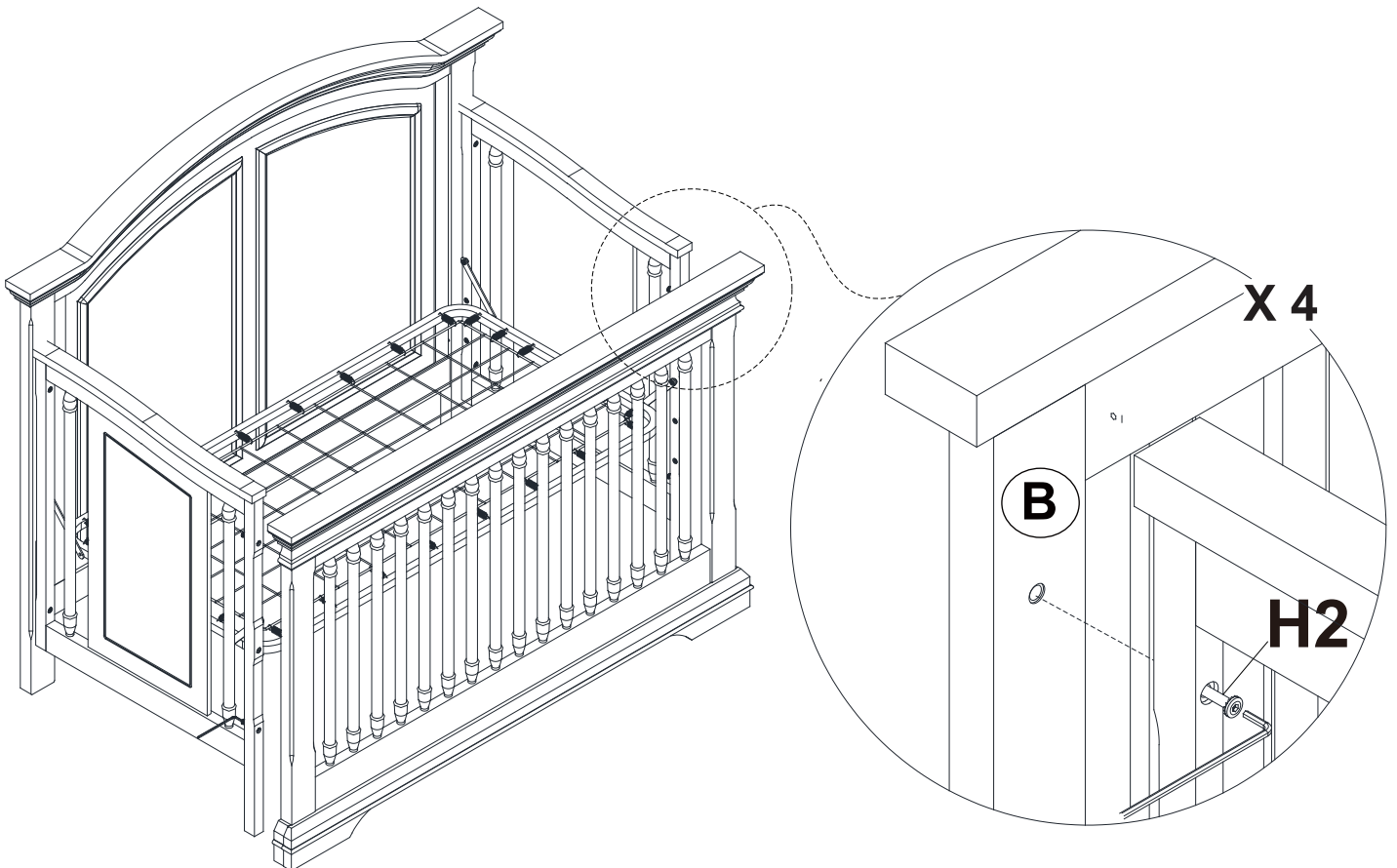
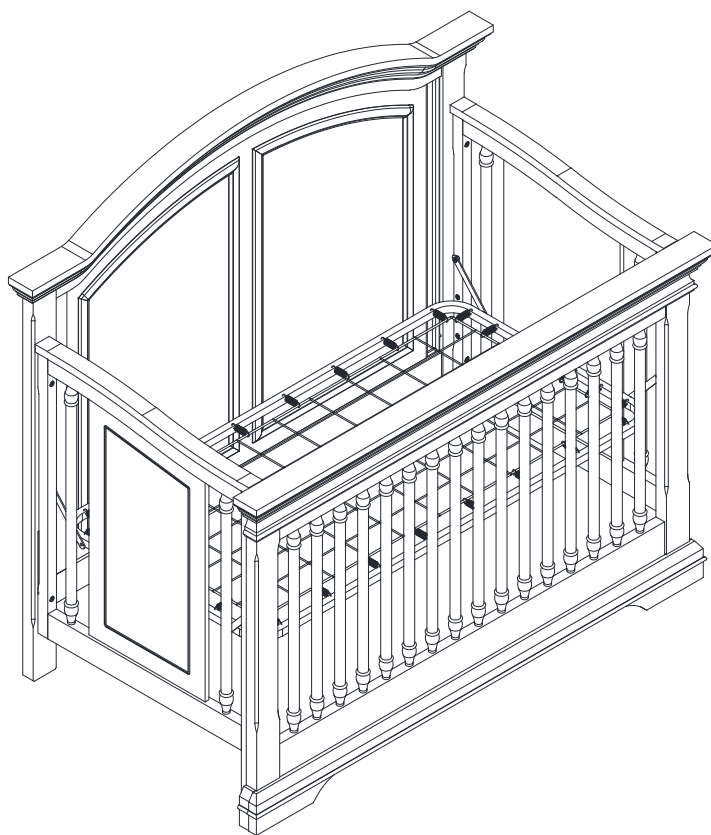


Figure 7

Assembly Steps (Continued)



FINALLY CHECK

- PRIOR TO USING THE CRIB, ENSURE ALL BOLTS ARE TIGHTENED. DO NOT OVER TIGHTEN.
- ENSURE THAT THE MATTRESS IS THE RECOMMENDED SIZE.
- ENSURE THE MATTRESS BASE IS LOCATED AT THE CORRECT LEVEL TO SUIT THE CHILD.
- CRIB IS NOW READY FOR USE.

NOTES

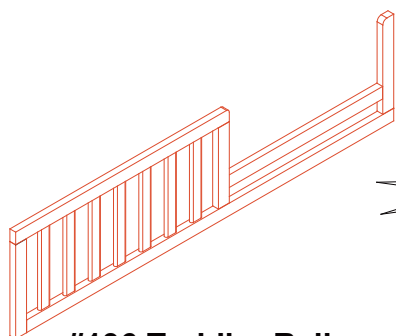
NOTES ON USE:

Keep children and others safe by following these simple rules:

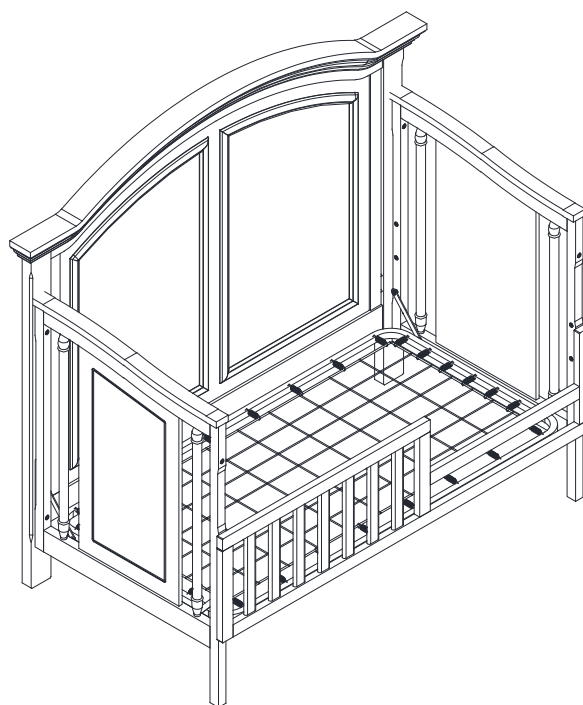
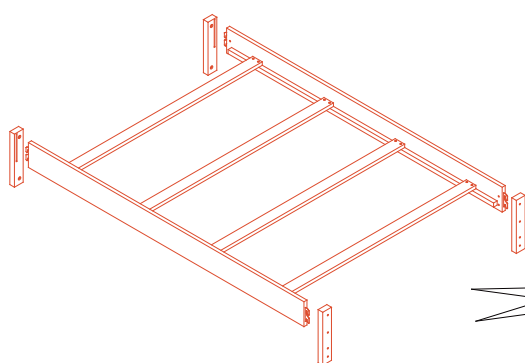
- **Do not** allow any child to play on furniture
- **Do not** allow climbing on any piece of furniture.
- **Do not** allow hanging from any piece of furniture.
- Always monitor your child's activity when in the nursery.

NOTES ON CARE AND MAINTENANCE:

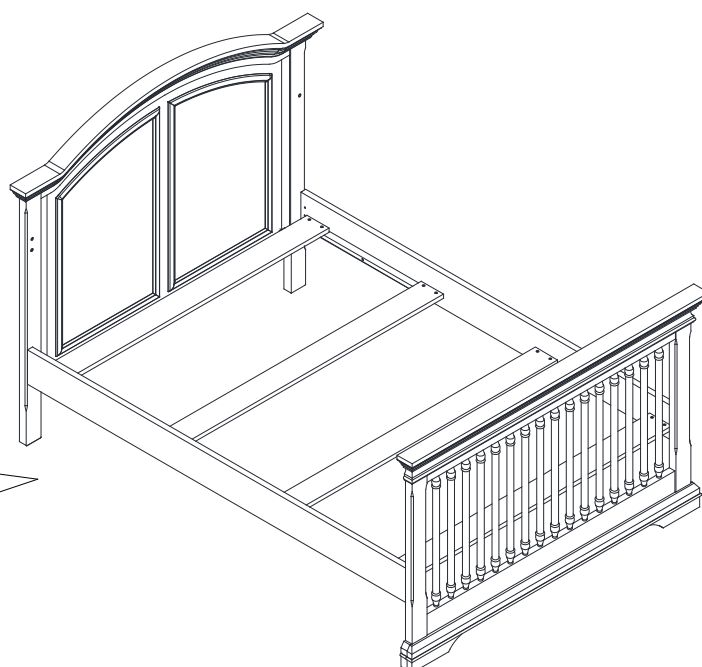
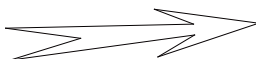
- **Do not** scratch or chip the finish.
- Inspect the product periodically, contact C&T International Inc. for replacement parts or questions.
- **Do not** store the product or any parts in extreme temperatures and conditions such as a hot attic or a damp, cold basement. These extremes can cause a loss of structural integrity.
- To preserve the luster of the high quality finish on your product, it is recommended to place a doily or felt pad under any items you place on the finish.
- Clean with a damp cloth, then a dry cloth to preserve the original luster and beauty of this fine finish.
- Do not** use abrasive chemicals.
- Do not** spray cleaners directly onto furniture.
- Lift slightly when moving on carpeting to prevent leg breakage.
- Use of a vaporizer near furniture will cause wood to swell and finish to peel.

TODDLER BED ASSEMBLY (Option Purchase)

#136 Toddler Rail

**FULL SIZE BED ASSEMBLY (Option Purchase)**

#215 Adult Rail



Note: The Toddler rail (#136) and Adult rail (#215) are sold separately to convert the crib to a Toddler bed and a full size bed for your choose.

Contact the store where you purchased the crib or visit:
www.sorellefurniture.com to locate a dealer near you.

Disassembling Crib for Storage

To disassemble crib for storage, follow assembly steps in reverse.

Store all parts and hardware together in a safe place. Store the instruction manual in the supplied envelope attached to mattress support base for future reference for reassembly.

Cleaning and Storage

To clean, use only mild household soap and warm water. **DO NOT** use bleach or detergent. **DO NOT** use abrasive cleaners which can scratch the finish. Use clean soft cloths to wash, rinse and dry. With proper care, the quality finish will last a long time. Wood surfaces may be treated with a light application of a good grade of non-toxic furniture polish. Read contents on back of polish to make sure polish will not harm unit.

Store all parts from Crib, which are not used for Full Size Headboard, in original carton(s) (if available) to prevent damage and allow reuse.